

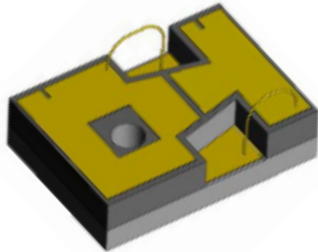
# 0.3mm Movement Free Space etMEMS™ Attenuator Sub-mount



(Protected by US patent 10752492B2)

DATASHEET

BUY NOW



The **etMEMS™** series of free space variable optic attenuator (FS-VOA) is based on a proprietary patent pending micro-electro-mechanical mechanism featuring exceptionally compact size with large shutter movement, simple construction, and easy direct drive. The **etMEMS™** series of FS-VOA is designed to block a collimated light beam completely  $\leq 400\mu\text{m}$  in diameter and be operated in the air without the need for a hermetic seal and is fully compliant with the Telcordia 1209 and 1221 reliability standards. The device is ideally suited to be integrated into laser systems. The different movement FS-VOA chip up to  $700\mu\text{m}$  is available,

## Features

- Compact
- High Reliability
- Low IL, PDL, WDL & TDL
- Intrinsic tolerance to ESD

## Applications

- Power Control
- Power Regulate
- Channel Balance
- Instrumentation

## Specifications

Parameter	Min	Typical	Max	Unit
Attenuation Resolution		Continuous		
Shutter Movement		300		$\mu\text{m}$
Response Time		20	40	ms
Optical Power Handling		500		mW
Driving Voltage <sup>[1]</sup>		3.6	4.0	V
Device Resistance		60 <sup>[2]</sup>	95	Ohm
Power Consumption		170	210	mW
Resonant Frequency	1000			Hz
Operating Temperature	-5		75	°C
Storage Temperature	-40		85	°C
Reliability	Telcordia 1209 and 1221			
Package Dimension	See drawing below			

### Note:

- [1]. For full dynamic range.
- [2]. At voltage 3.6V.

**Legal notices:** All product information is believed to be accurate and is subject to change without notice. Information contained herein shall legally bind Agiltron only if it is specifically incorporated into the terms and conditions of a sales agreement. Some specific combinations of options may not be available. The user assumes all risks and liability whatsoever in connection with the use of a product or its application.

Rev 02/09/24

# 0.3mm Movement Free Space etMEMS™ Attenuator Sub-mount

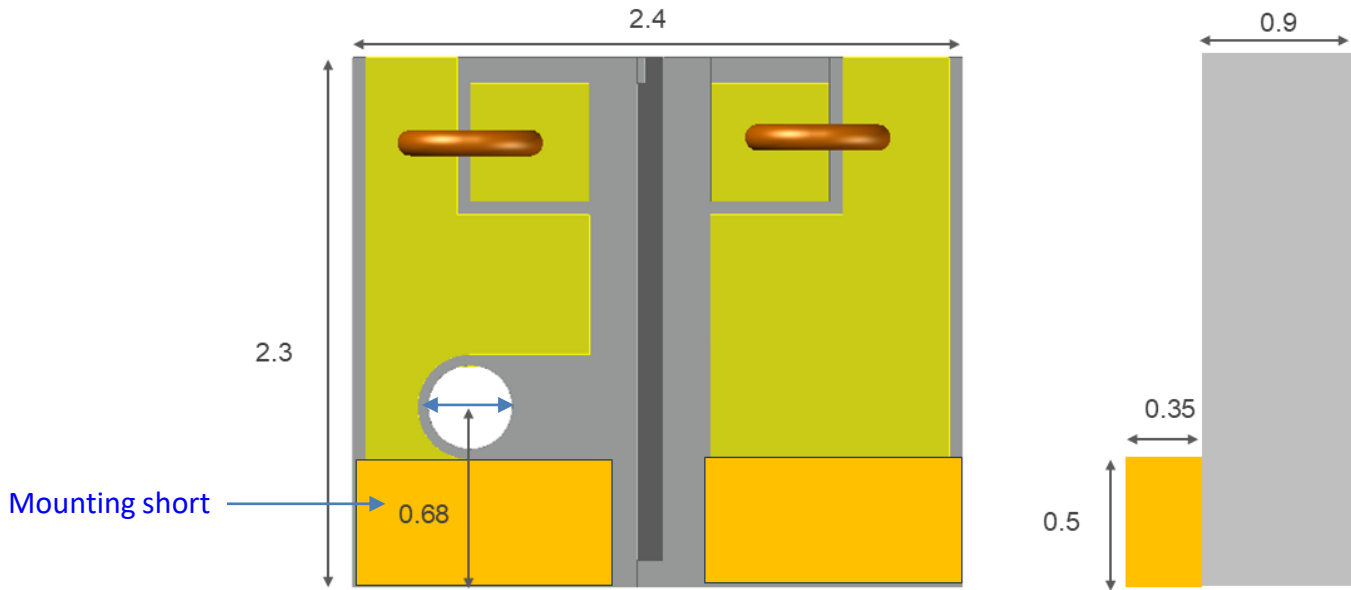


(Protected by US patent 10752492B2)

## DATASHEET

### Mechanical Footprint Dimensions (mm)

Chip on Sub-mount: Normally-open with  $\phi 300$  aperture



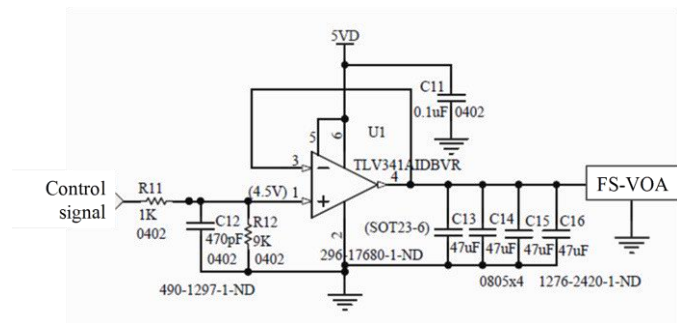
Note: The variety of chips and customization are available, please contact us.

\*Product dimensions may change without notice. This is sometimes required for non-standard specifications.

### Electronic Driving Instruction

#### NOTES:

- Resistive without polarity
- Applying >4.2V will burn the chip
- Two pads are for applying a voltage
- Reference driving circuit on the right



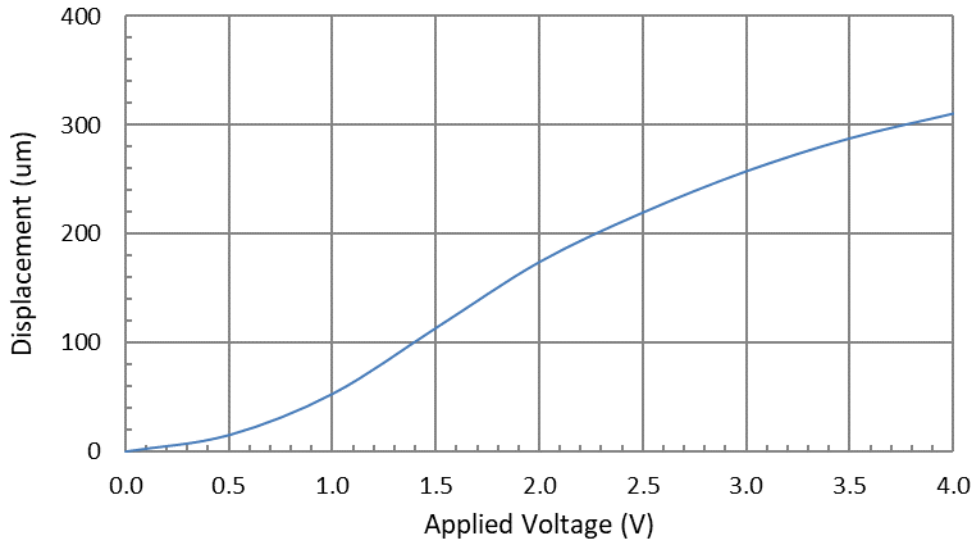
# 0.3mm Movement Free Space etMEMS™ Attenuator Sub-mount



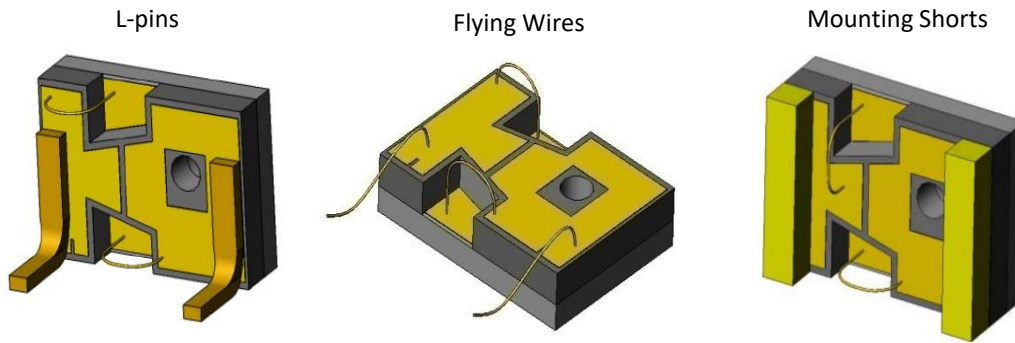
(Protected by US patent 10752492B2)

## DATASHEET

### Shutter Performance (Typical)



### Electronic Pin Option for sub-mount (Illustration)



\*Product dimensions may change without notice. This is sometimes required for non-standard specifications.

### Ordering Information

Prefix	Shutter size	Wavelength	VOA Type	Shutter Surface	Chip Package	Chip Design	Electric connection	Package
FSVOA-	Ø300um = 30	Broadband = 1	Standard (normally open) = 1 Special = 0	Gold = 1	Bare = 2 Sub-mount = 1 Special = 0	Standard = 1 Special = 0	No PIN = 0 L Pin = 1 Flying Wires = 2 Mounting shorts = 3	Sub-mount = 1